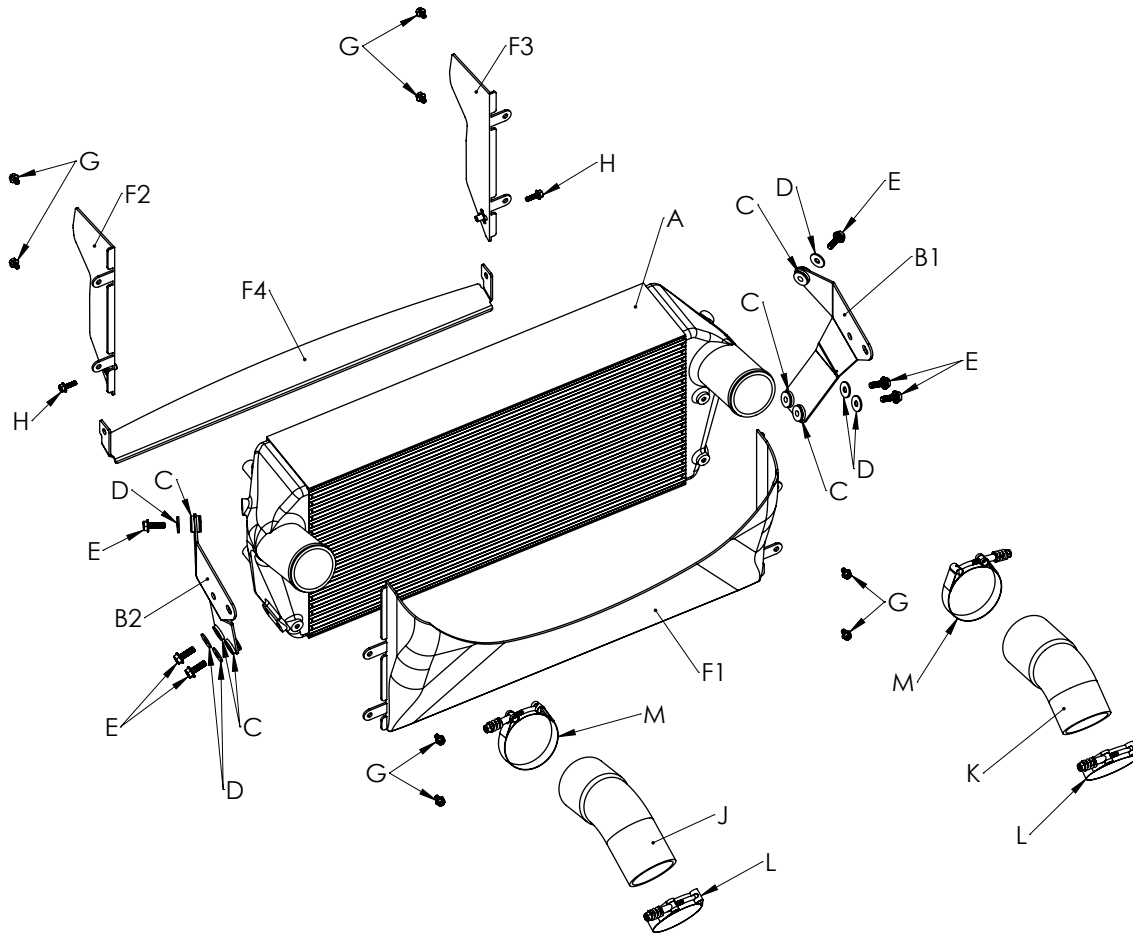


2013+ DODGE 6.7L CUMMINS INTERCOOLER KIT

EXPLODED VIEW



PART NUMBER	DESCRIPTION	QUANTITY
A	INTERCOOLER	1
B1	MOUNTING BRACKET MISHIMOTO 2136-01	1
B2	MOUNTING BRACKET MISHIMOTO 2136-02	1
C	BUSHINGS (PRE INSTALLED)	6
D	WASHER - M8	6
E	BOLT - M8 X 1.25 X 25 HEX HEAD FLANGE	6
F1	DUCTING MISHIMOTO 2137-01	1
F2	DUCTING MISHIMOTO 2137-03	1
F3	DUCTING MISHIMOTO 2137-04	1
F4	DUCTING MISHIMOTO 2137-05	1
G	BOLT - M6 X 1.0 X 12 HEX HEAD FLANGE	8
H	BOLT - M6 X 1.0 X 30 HEX HEAD FLANGE	2
J	COLD-SIDE BOOT (LONG) MISHIMOTO 4241-01	1
K	HOT-SIDE BOOT (SHORT) MISHIMOTO 4241-02	1
L	3" CONSTANT TENSION T-BOLT CLAMP	2
M	3 1/4" CONSTANT TENSION T-BOLT CLAMP	2

CONTINUED ON FOLLOWING PAGE

01

2013+ DODGE 6.7L CUMMINS INTERCOOLER KIT

PARTS LIST AND INSTALLATION GUIDE



PARTS INCLUDED

- 1PC | MISHIMOTO INTERCOOLER
- 3PC | FRONT AIR DIVERSION PANELS
- 1PC | REPLACEMENT LOWER FAN SHROUD
- 2PC | MOUNTING BRACKETS W/ RUBBER ISOLATORS
- 2PC | SILICONE BOOTS WITH DURACORE™ TECHNOLOGY
- 4PC | CONSTANT TENSION T-BOLT CLAMPS
- MOUNTING HARDWARE

TOOLS NEEDED

- | | |
|----------------------|------------------------|
| 10MM SOCKET | 24MM SOCKET |
| 10MM SWIVEL SOCKET | 1/2" DRIVE RATCHET |
| 11MM SOCKET | 13MM RATCHETING WRENCH |
| 11MM SWIVEL SOCKET | 24MM WRENCH |
| 13MM SWIVEL SOCKET | HOSE PICK |
| 1/4" DRIVE RATCHET | CUTOFF WHEEL |
| 1/4" DRIVE EXTENSION | DIAGONAL CUTTERS |

INSTALL TIME 3-4 HOURS

INSTALL DIFFICULTY     

DISCLAIMER

- Raise vehicle only on jack stands or on a vehicle lift.
- Allow vehicle to cool completely prior to attempting installation.
- Do not run the engine or drive the vehicle while overheating; serious damage can occur.
- Please dispose of any liquids properly.
- Mishimoto is not responsible for any vehicle damage or personal injury due to installation errors, misuse, or removal of Mishimoto products.
- Mishimoto suggests that a trained professional install all Mishimoto products.

CAUTION

The intercooler on this vehicle is very heavy. We recommend having a friend on hand to help with installation and removal.

INSTALL PROCEDURE

01. Loosen the clamp that secures the hot-side intercooler pipe to the turbocharger outlet. (1x 11mm T-bolt clamp)



02. Loosen the clamp that secures the cold-side intercooler pipe to the intake. (1x 11mm T-bolt clamp)



03. Remove the four bolts that secure the ducting to the front of the intercooler. (4x 10mm bolts)

CONTINUED ON FOLLOWING PAGE

02

2013+ DODGE 6.7L CUMMINS INTERCOOLER KIT INSTALLATION GUIDE



04. Disconnect the harness clip from the ducting located on the passenger side of the vehicle, just below the radiator.



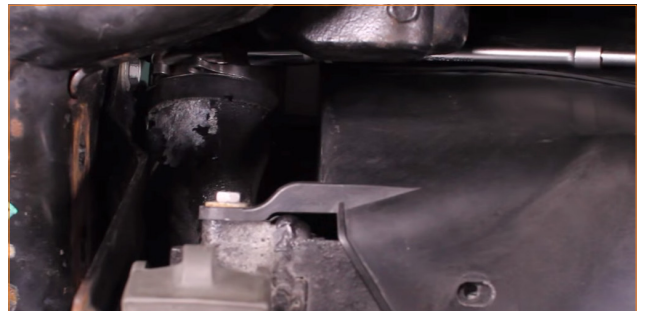
05. Remove the three tree clips that secure the ducting to the bottom of the intercooler. (3x tree clips)
06. Remove the three tree clips that secure the lower fan shroud to the bottom of the intercooler (3x tree clips)
07. Remove the four bolts that secure the plow mounts to the frame. Then remove the plow mounts. (4x 24mm bolts and nuts)



08. Loosen the clamp that secures the intercooler pipe to the passenger side of the intercooler. (1x 11mm T-bolt clamp)



09. Loosen the clamp that secures the intercooler pipe to the driver side of the intercooler. (1x T-bolt clamp)



10. Work a hose pick between the boots and the intercooler to loosen them. They tend to get stuck, which makes removing the intercooler difficult. Once the boots are loose, separate them from the intercooler.
11. Remove the four bolts that secure the lower fan shroud to the back of the intercooler. (4x 10mm bolts)



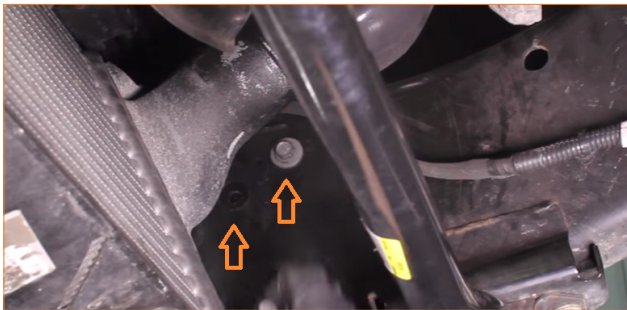
CONTINUED ON FOLLOWING PAGE

03

2013+ DODGE 6.7L CUMMINS INTERCOOLER KIT INSTALLATION GUIDE



12. Remove the lower fan shroud from the intercooler. Drop the passenger-side ducting down first, then the driver-side.
13. Remove the four bolts that secure the intercooler to the frame of the truck. These bolts support the weight of the intercooler, so be prepared to handle the full weight of this component. (4x 13mm bolts)



14. While holding the intercooler up, remove the front ducting that you disconnected earlier.



15. Remove the intercooler pipes from the vehicle.
16. There are three different types of bolts included with your kit. The large 13mm head bolts will be used to secure the mounting brackets to the intercooler. The long 10mm head bolts will be used to secure the front shrouding to the lower shroud. The short 10mm head bolts secure the shrouding to the intercooler.
17. Install the six bolts that secure the mounting brackets to the intercooler, but leave them loose for now. (6x 13mm bolts)
18. Locate the silicone elbows in your kit. One boot is a bit longer than the other. Compare them to the stock boots to identify them.
19. Lubricate the ends of the intercooler pipes, intercooler inlet, and intercooler outlet. Install the intercooler boots to the pipes, but don't install the clamps yet. This will make it easier to lead the pipes.
20. If you are installing the intercooler only, the couplers on the stock intercooler boots must be replaced with the provided transition boots. Use a cutoff wheel or diagonal cutters to remove the band that secures the stock couplers to the intercooler side of the stock intercooler pipes. Slip a provided T-bolt clamp over each transition boot, and install the boots to the pipes. Then secure the boots with the clamps. (2x T-bolt clamps)
21. From underneath the vehicle, route the hot-side intercooler pipe up behind the radiator hose until it meets the turbocharger outlet.

CONTINUED ON FOLLOWING PAGE

04

2013+ DODGE 6.7L CUMMINS INTERCOOLER KIT INSTALLATION GUIDE



22. Route the cold-side intercooler pipe over the steering gear, and turn it while you feed it up toward the intake.



23. Slip four of the provided clamps over the intercooler ends of the pipes. Take care to orient the clamps so that you will be able to tighten them later. Push the clamps up past the boots so that they are out of the way. [4x T-bolt clamps]
24. Install the Mishimoto intercooler. Lift the intercooler into place, and slip the boots over the intercooler inlet and outlet. It may be helpful to have your pick tool on hand to help the boots over the lip of the intercooler. Then secure the intercooler to the vehicle with two of the original bolts, placed in the lower bolt holes. Thread the bolts in, but don't tighten them yet. Some movement in the intercooler is necessary to install the shrouding. [2x 13mm bolts]
25. Slip two of the provided T-bolt clamps over the intake end of the cold-side intercooler pipe. Install the pipe over the intake inlet, but don't tighten the clamps yet. You may need to go back and adjust these later. [2x T-bolt clamps]



26. Slip two of the provided T-bolt clamps over the turbo end of the hot-side intercooler pipe. Install the pipe over the turbocharger outlet, but don't tighten the clamps yet. [2x T-bolt clamps]



27. Locate the lower fan shroud included with your kit. Pull back the stock fan shroud and slip the driver side corner of the Mishimoto shroud past the steering gear. The stock shroud should sit on top of the Mishimoto shroud to form a good seal. Then secure the shrouding with four of the provided bolts. [4x 10mm bolts]



CONTINUED ON FOLLOWING PAGE

05

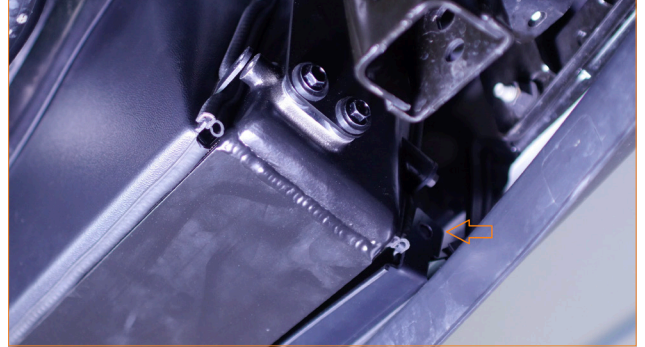
2013+ DODGE 6.7L CUMMINS INTERCOOLER KIT INSTALLATION GUIDE



28. Locate the front ducting panels in your kit. Install the side panels by sliding them through the front grille. Then secure them with the four provided bolts. (4x 10mm bolts, 4x washers)



29. Locate the lower ducting panel in your kit. Orient the panel so that the lip is pointing down, and then install the panel to the bottom of the intercooler. Secure the bottom panel to the side panels with the two provided bolts. Leave a small gap to allow water to drain from the ducting. (2x 10mm bolts)



30. Install the two remaining bolts that secure the intercooler to the frame, and tighten all four bolts. (2x 13mm bolts)



31. Tighten the bolts that secure the bottom of the intercooler bracket to the intercooler.
32. Now that the intercooler is fully secured, slide all the T-bolt clamps into position and tighten them. These clamps must be positioned over the bead roll of the component they secure to provide a good seal.
33. Reinstall the plow mounts, and secure them with the original hardware. (4x 24mm bolts and nuts)

Congrats! You just finished installing the 2013+ Dodge 6.7L Cummins Intercooler Kit.