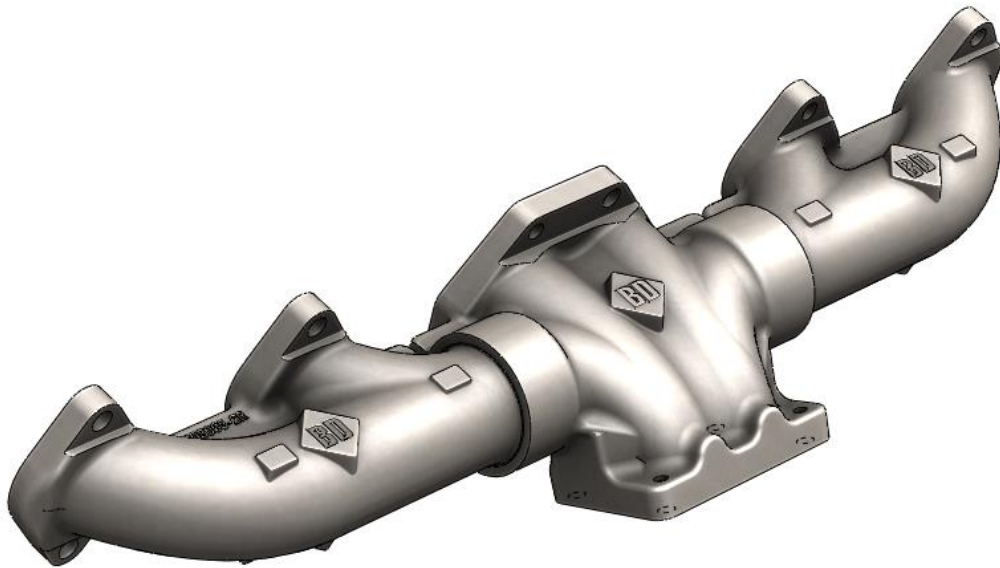




**DOWNLOAD ENHANCED
INSTALL MANUALS AT
*dieselperformance.com***



BD ISX MANIFOLD

Necessary Upgrades

- Manifold is designed as a stock replacement for pre 2002 non-EGR Engines. Installation on applications outside the intended application years require other changes and are not included in this nor are they legal.

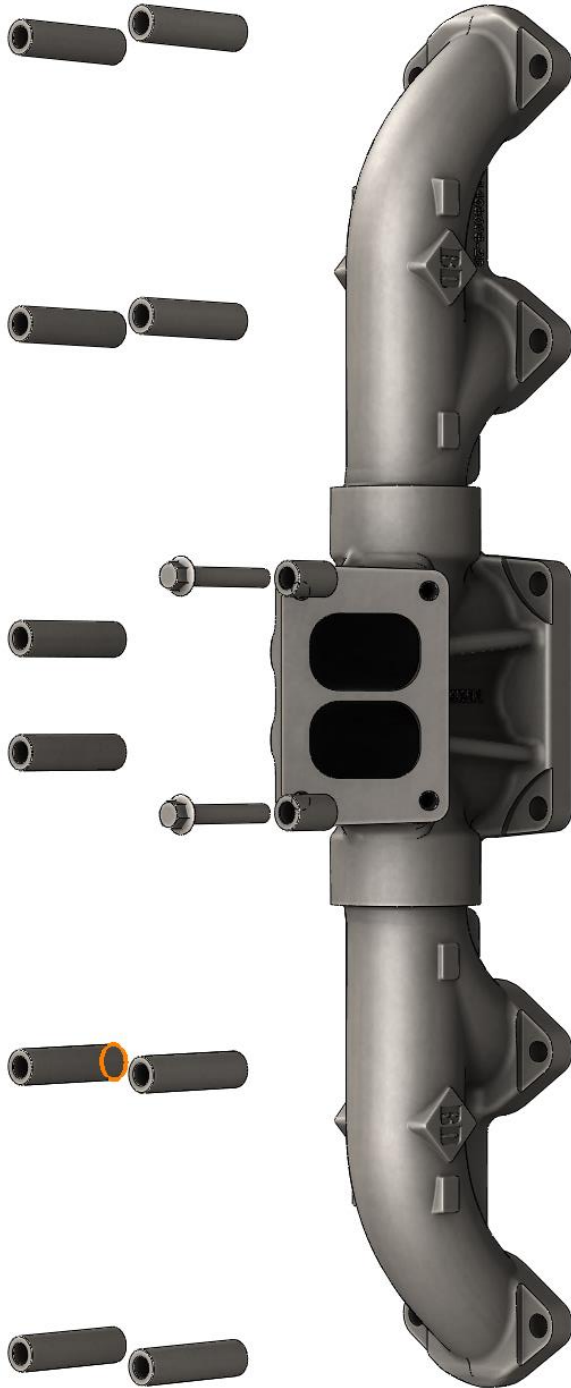
BD Engine Brake Inc.

Plant Address: 33541 MacLure Rd. Abbotsford, BC, Canada V2S 7W2

U.S. Shipping Address: 88-446 Harrison St, Sumas, WA 98295 U.S. Mailing Address: P.O. Box 231, Sumas, WA 98295

Phone: 604-853-6096 | Fax: 604-853-8749 | Internet: www.bd-power.com

EXPLODED VIEW



Quantity	Part #	Description
1	1048008	Manifold
10	1408008-3	Spacer; Tall
2	1408008-4	Spacer; Short
4	1462429	Stud, M10 x 35mm
2	FT-11115686	Bolt; M10 x 60mm

- You must use the spacers provided in the kit.
- Use the factory fasteners when using the tall spacers
- Use the two provided fasteners when using the short spacers.
- You must use the turbo mounting studs provided in the kit