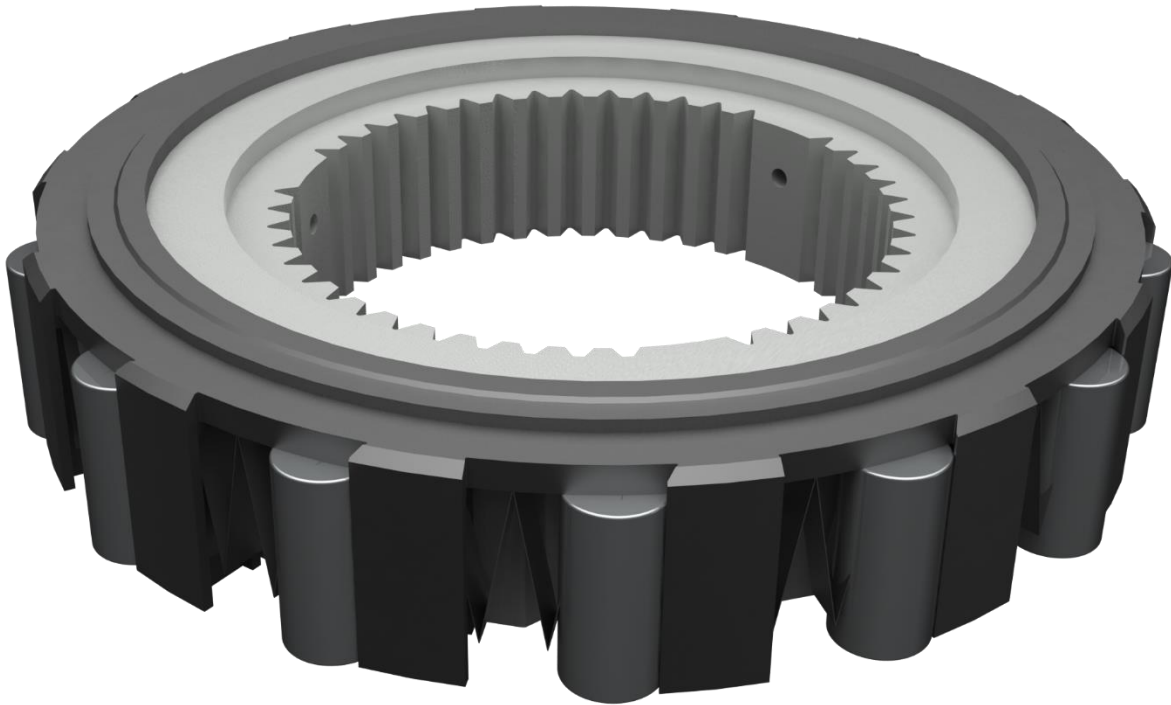




**DOWNLOAD ENHANCED  
INSTALL MANUALS AT  
*dieselperformance.com***



## **BD 68RFE ONE WAY CLUTCH**

**2007-2016 Dodge  
Installation Instructions**

**1060603 | 2007-2016 Dodge 68RFE**

**PLEASE READ ALL INSTRUCTIONS BEFORE INSTALLATION.**

## ***Pre-Installation***

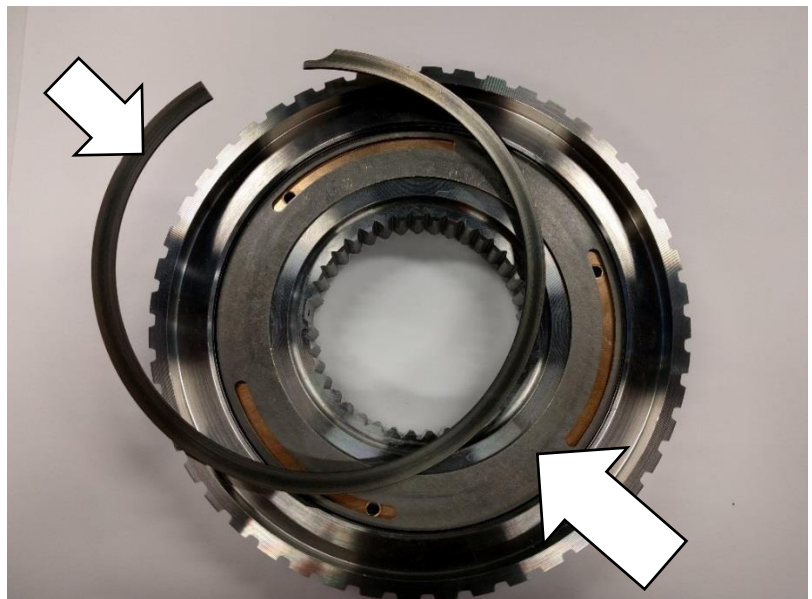
Remove the previous 68 RFE low rev sprag and discard the internals. Retain the outside sprag gear, retaining plate and the snap ring. They will be used in this build.

## ***REMOVAL***

1. Ensure you have your stock 68 RFE Low Rev sprag ready for disassembly. Check to make sure it is not damaged.



2. Remove snap ring and the retaining plate from the sprag and do not discard.



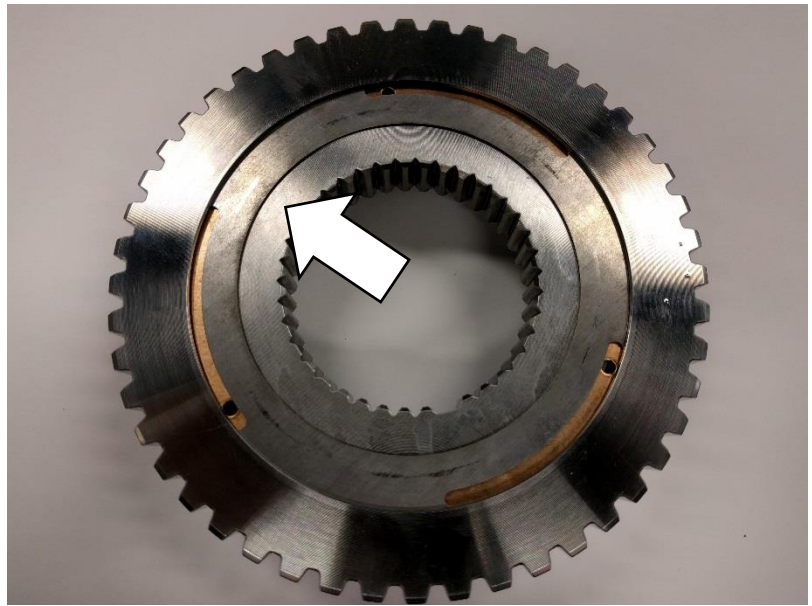
BD Engine Brake Inc.

Plant Address: 33541 MacLure Rd. Abbotsford, BC, Canada V2S 7W2

U.S. Shipping Address: 88-446 Harrison St, Sumas, WA 98295 U.S. Mailing Address: P.O. Box 231, Sumas, WA 98295

Phone: 604-853-6096 | Fax: 604-853-8749 | Internet: [www.bd-power.com](http://www.bd-power.com)

3. Flip the sprag and carefully remove the internal assembly by pushing on the retaining plate.



4. Retain the external gear from original sprag.



BD Engine Brake Inc.

Plant Address: 33541 MacLure Rd. Abbotsford, BC, Canada V2S 7W2

U.S. Shipping Address: 88-446 Harrison St, Sumas, WA 98295 U.S. Mailing Address: P.O. Box 231, Sumas, WA 98295

Phone: 604-853-6096 | Fax: 604-853-8749 | Internet: [www.bd-power.com](http://www.bd-power.com)

5. Original snap ring and retaining plate will also be required to complete this build.



6. Remove the part 1060603 from packaging.



BD Engine Brake Inc.

Plant Address: 33541 MacLure Rd. Abbotsford, BC, Canada V2S 7W2

U.S. Shipping Address: 88-446 Harrison St, Sumas, WA 98295 U.S. Mailing Address: P.O. Box 231, Sumas, WA 98295

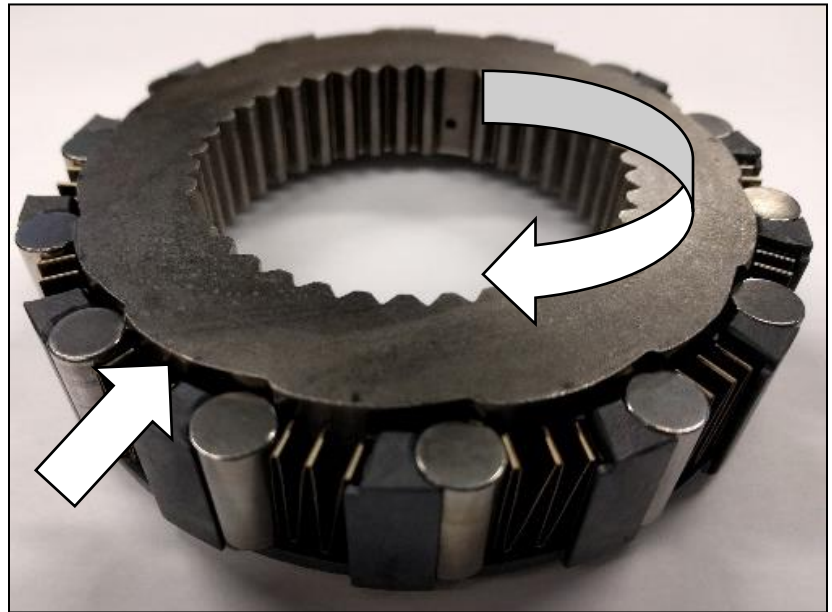
Phone: 604-853-6096 | Fax: 604-853-8749 | Internet: [www.bd-power.com](http://www.bd-power.com)



7. Ensure the part is in the same orientation as the image.



8. Lift and rotate the internal gear clockwise until the internal gear is sitting proud relative to rollers and cage.



9. Seat the retaining plate within your external part of the 68RFE sprag.



10. Flip 68RFE components upside and drop onto 1060603 while holding the retaining plate in place.



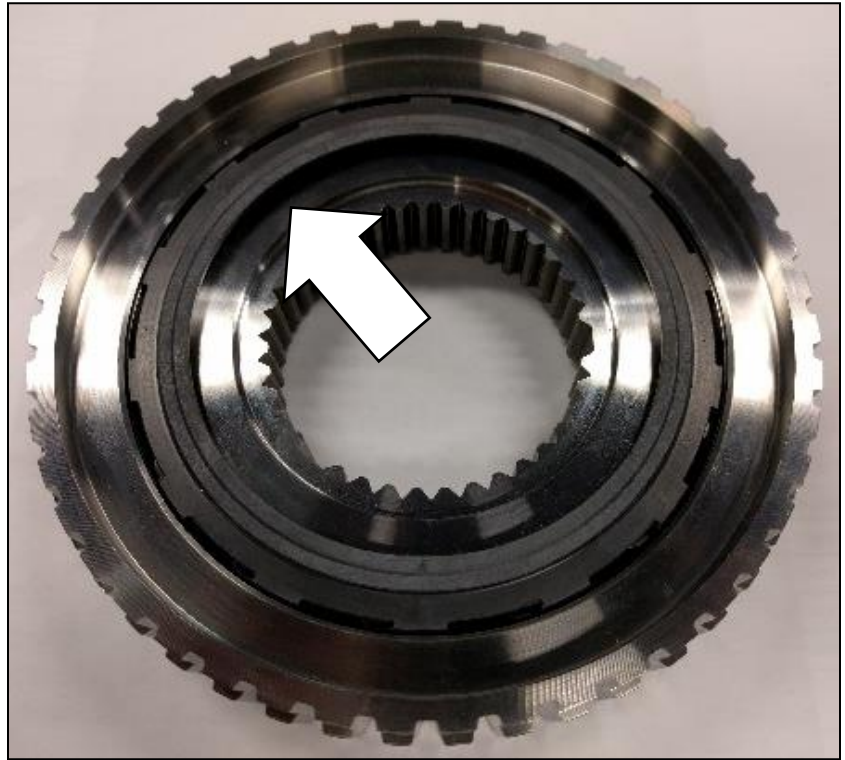
BD Engine Brake Inc.

Plant Address: 33541 MacLure Rd. Abbotsford, BC, Canada V2S 7W2

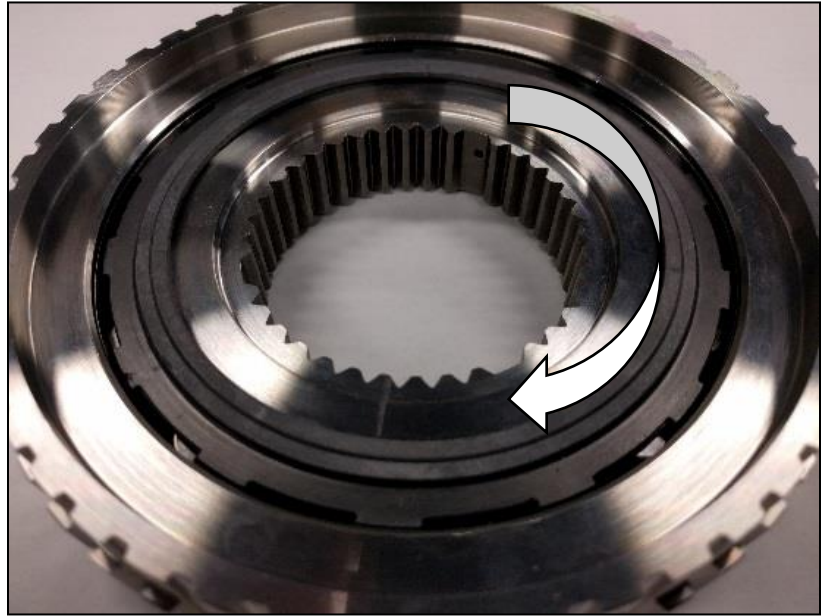
U.S. Shipping Address: 88-446 Harrison St, Sumas, WA 98295 U.S. Mailing Address: P.O. Box 231, Sumas, WA 98295

Phone: 604-853-6096 | Fax: 604-853-8749 | Internet: [www.bd-power.com](http://www.bd-power.com)

11. Flip the assembly over again and there should be a gap between the top face of internal gear and cage.



12. Rotate internal gear clockwise until the cage is sitting flush against the top face of internal gear.



BD Engine Brake Inc.

Plant Address: 33541 MacLure Rd. Abbotsford, BC, Canada V2S 7W2

U.S. Shipping Address: 88-446 Harrison St, Sumas, WA 98295 U.S. Mailing Address: P.O. Box 231, Sumas, WA 98295

Phone: 604-853-6096 | Fax: 604-853-8749 | Internet: [www.bd-power.com](http://www.bd-power.com)

13. Install the 68RFE snap ring to secure the assembly.



To ensure the assembly is correct, the internal sprag should only turn counter-clockwise and no rotation in the opposite direction.