



INSTALLATION INSTRUCTIONS

VEHICLE APPLICATION

Year: **2004.5 - 2005**
Make: **Chevrolet / GMC**
Model: **2500HD / 3500**
Engine: **6.6L Duramax LLY**

TOOLS REQUIRED

- 8mm & 10mm Wrench & Socket
- T-30 Torx Wrench
- 5/16" Nut Driver or Flat Blade Screwdriver
- Pliers or Channel locks
- 5/16" Allen Wrench (optional)

CARB STATUS - PENDING

Product will be submitted to Air Resources Board for approval shortly.

Not legal for use in CA or other states adopting CA emissions standards. See Page 2 for more information.

NOTES

Kit may not fit with the following Aftermarket Parts installed:

- Body Lift or Lowering Kit
- Custom Hood
- Throttle Body Spacer/ Upgrade

BEFORE YOU START

- Please read the entire product guide before proceeding.
- Ensure all components listed on page 3 are present.
- If you are missing any of the components, call our customer support at (909) 947-0015.
- Do not work on your vehicle while engine is hot.
- Make sure the engine is turned off and the vehicle is in Park or the Parking Brake is set.

1. With the ignition switched off and the parking brake set, disconnect the negative battery cables on both batteries.



2. Loosen the clamps on either end of the S&B intake tube (or the OE intake tube) and remove the tube from the truck.



3. Remove the OE resonator by loosening the hose clamp at the turbo inlet tube and the stud towards the front using a T-30 Torx bit.



4. Using a 10mm socket, remove the screw mounting the CCV tube on the passenger side. Pull the tube up out of the port. Save the screw for re-mounting.



5. Unclip the CCV hose above the turbo. Using pliers to loosen the clamp, disconnect the CCV line from the OE inlet tube.



6. Unclip the small wiring harness from the bracket mounted to the turbo.



7. Loosen the V-band securing the OE inlet tube to the turbo. Then remove the OE inlet tube from the truck.



8. Install the Turbo Mouthpiece (A) onto the turbo inlet using the OE V-band clamp. Be sure both flanges mate in the V-band clamp evenly. Leave the connection slightly loose for now.



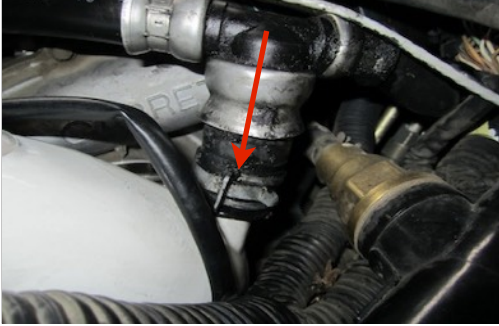
9. Using a needle nose pliers, pull the inner OE hose support out of the CCV hose.



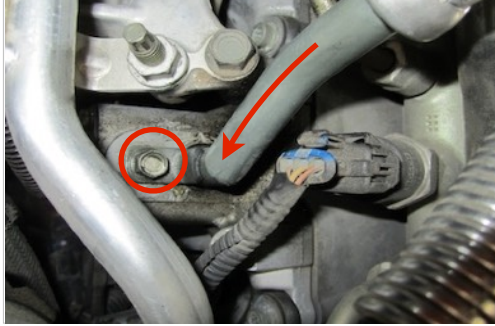
SEE EXPLODED VIEW ON PAGE 3

INSTALLATION INSTRUCTIONS (CONTINUED)

10. Loosen the hose clamp using pliers and reinstall the CCV hose onto the Turbo Mouthpiece (A) inlet. Make sure the connection is secure. If your vehicle has the CCV deleted, use the provided Hex Socket Plug (B) to create a seal on the ccv inlet. **Warning:** Do not over tighten the plug on the inlet. Over tightening will cause the inlet to crack. **Torque Specs:** 5 ft. lbs



11. With the original O-ring in place, re-install the CCV line that was removed in Step #4 using the OE screw. Tighten using a 10mm socket.



12. Use the supplied wire tie to position the small wiring harness away from the turbo and mouth piece. Clip the CCV hose back into place.



13. Reinstall the S&B intake tube (or the OE intake tube) that was removed in Step #2. Tighten all the hose clamp connections.



14. Tighten the V-band clamp at the turbo when you are satisfied with the positioning.



15. Reconnect both batteries. Inspect your installation, make sure the kit is properly positioned and all fasteners are secure. The installation is now complete.



RELATED ITEMS FOR YOUR PURCHASE

- COLD AIR INTAKE KIT (P/N 75-5038)
- Replacement Oiled Air Filter (P/N KF-1057)
- Replacement Dry Air Filter (P/N KF-1057D)
- Air Filter Wrap (P/N WF-1058)
- Precision II Filter Cleaning & Oiling (P/N 88-0008)

Order online today at www.sbfilters.com or through your local S&B distributor.

PERFORMANCE TESTING

- Engage parking brake and start your engine. Listen for abnormal noises. If an air leak is detected, re-inspect hoses and connections as they may need to be repositioned and tightened.
- S&B FILTERS recommends that you keep your OE intake system in the event it is required in the future.
- In order to maintain your warranty, all connections and components must be checked periodically for alignment and for proper tension on all connections. Failure to do so may void your warranty.
- Use only S&B FILTERS cleaning and oil products to service your filter. Using any other brand oil and or cleaners on your S&B air filter may void your warranty.

WARNING!

If your vehicle has a Vehicle Emission Control Information decal affixed to the factory air box, a new replacement label must be obtained and installed in a readily visible position in the engine compartment in order to remain CARB compliant. Failure to do so will prevent the vehicle from passing a smog check. Replacement labels can be ordered from your local dealership. Regulations state that the VECI label shall not be affixed to any equipment which is easily detached from the vehicle. Label placement, under the hood on a painted surface is recommended.



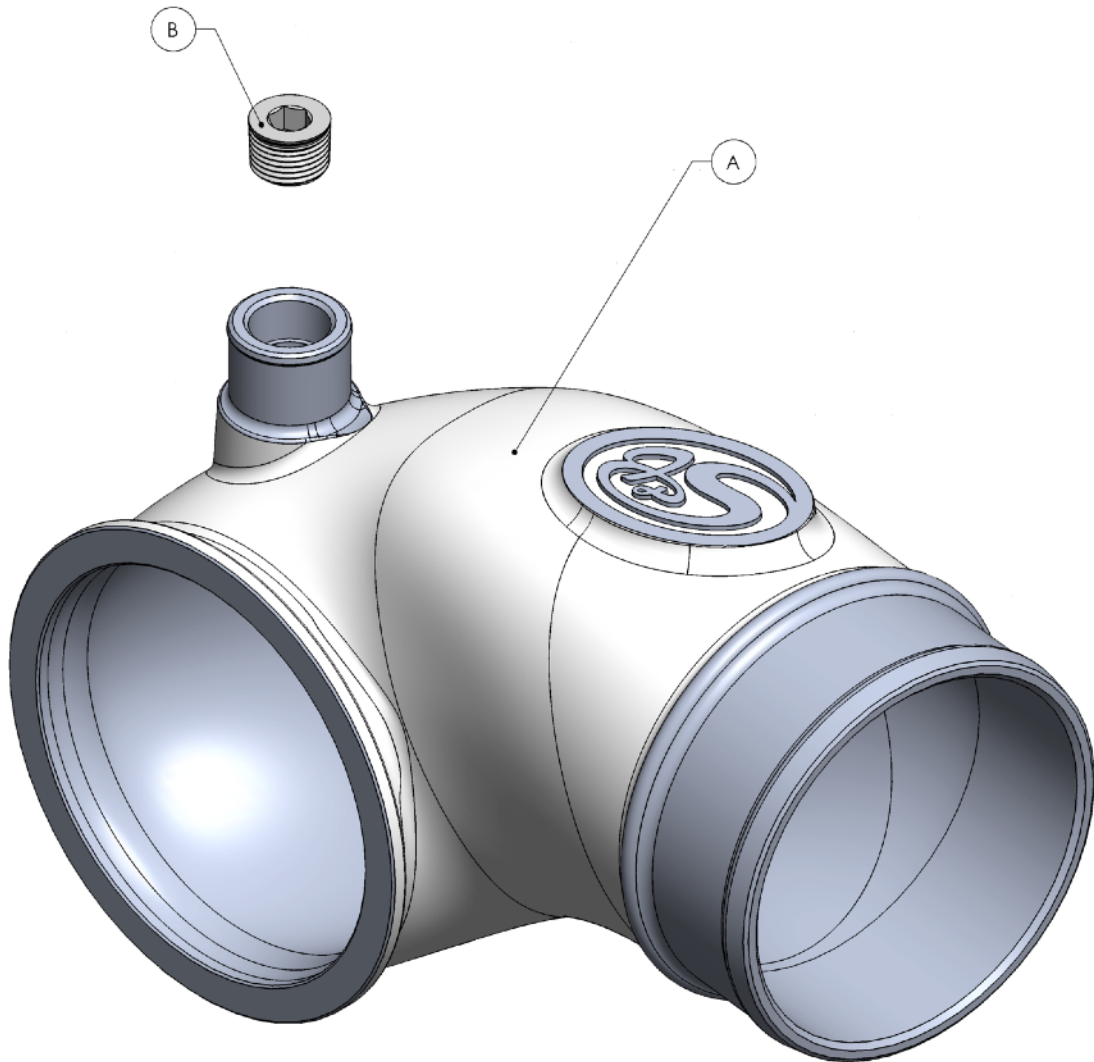
EMISSIONS STANDARD

The California Air Resource Board (CARB) requires that an E.O. identification label be applied to the vehicle in order to pass a smog check inspection when a Performance Intake Kit has been installed. You must place the E.O. label provided on or near the intake kit after installation so that a smog check technician can easily verify the E.O. number. Check the status of the exemption process by looking up a specific part number at www.sbfilters.com. The CARB Exemption number and/or status is listed under the Product Details section for each part number. If the status shows as "Pending," CARB has yet to issue an exemption. Products that have not been issued an EO number are street legal in most states, but may not be used on emission controlled vehicles in the state of California and are for off road use only. If you purchased your kit from S&B Filters directly, we will automatically mail you your Exemption Sticker when it is issued to us. If you purchased your kit from an authorized S&B Filters Dealer, log onto our web site and register to receive your Exemption Sticker.

SEE EXPLODED VIEW ON PAGE 3



EXPLODED VIEW



White Mouthpiece Shown

ITEM	QTY.	DESCRIPTION	PART NUMBER
A	1	TURBO MOUTHPIECE	AL1209-00
B	1	HEX SOCKET PLUG, 3/8" NPT	AI1587-00
ITEMS NOT SHOWN IN THE EXPLODED VIEW			
C	1	ZIP TIE	AI1212-00